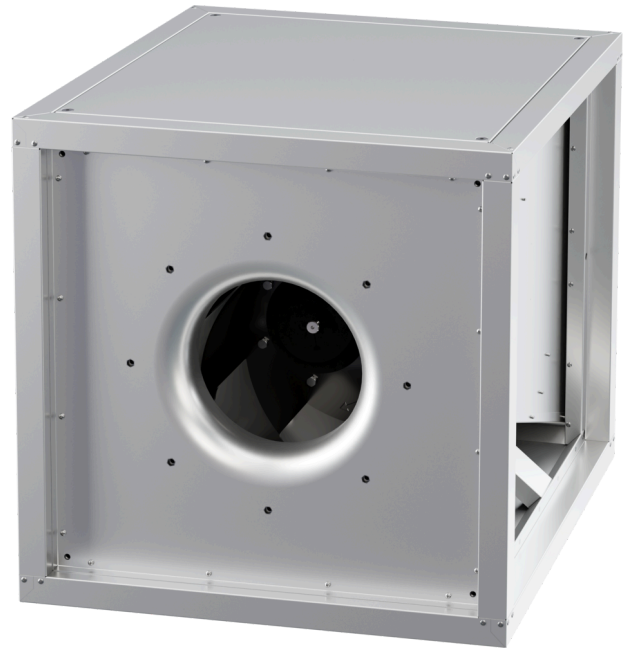


MPC 450 EC T30

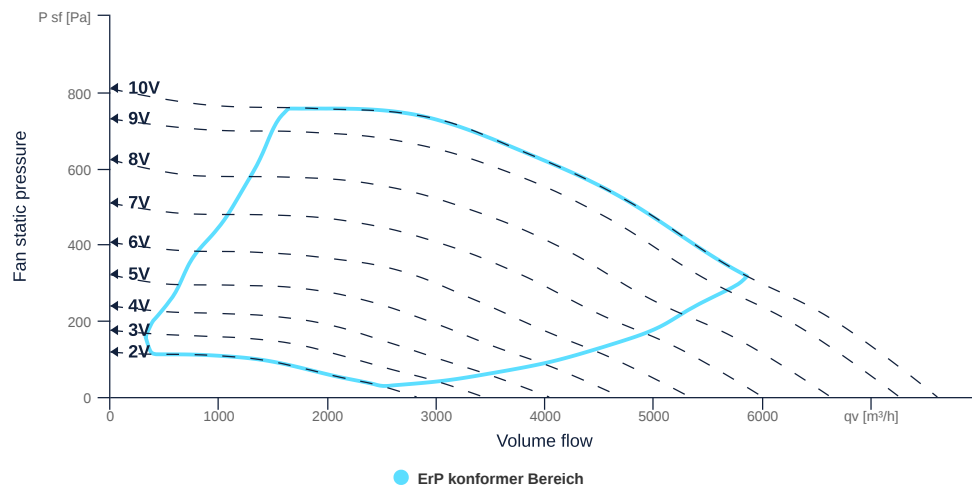
149331

- Backward curved centrifugal impeller
- Removable side walls, variable discharge direction
- Sheet steel housing double-walled, 30 mm mineral wool
- EC motor outside the airflow, controllable
- Conveyed medium temperature up to 120 °C in continuous operation
- Housing bottom designed with integrated drain



FAN CURVES

Name	Value	Unit
Volume flow	0	m³/h
Pressure	0	Pa



to the product detail page

MPC 450 EC T30

149331

ruck

GENERAL DATA

Name	Value	Unit	Formula symbol
Labeling	CE, UKCA		
Duct size	-		WxH _{duct}
Pipe connection size (DN)	DN500		DN
Rated voltage (entire device)	230	V	U _{rated}
Phases (entire device)	1~		phase
Electrical protection (entire device)	10 A		fuse
Housing material	Galvanized steel		mat _{casing}
Impeller material	Coated steel		mat _{impeller}
IP-protection class (entire device)	IPX4		IP _{compl}
IP-Protection class (terminal box)	IP44		IP _{ebox}
Weight	63	kg	m
Nominal air flow rate, nominal point m ³ /h	5857.2	m ³ /h	q _{v,nom}
Nominal external pressure, static	317	Pa	p _{s,nom}
Fan type	Radial		Fan _{type}
Category / Installation situation	A		cat

ERP DATA (LOT 6)

Name	Value	Unit	Formula symbol
Nominal air flow rate, nominal point m ³ /s	1.63	m ³ /s	q _{v,nom}
Actual electrical input power, nominal point	1.2	kW	P _{e,nom}
Face velocity, nominal point	5.05	m/s	V _{nom}
Nominal external pressure, static	317	Pa	p _{s,nom}
static efficiency of the extract fan, nominal point	43.11	%	η _{es,EHA}
Highest external air leakage rate	0.09	%	
Enclosure sound level, nominal point	70.65	dba	L _{WA2}
Rating	Product is compliant 2018		



to the product detail page

MPC 450 EC T30

149331

ruck

MAXIMAL DATA

Name	Value		Unit	Formula symbol
	50 Hz	60 Hz		
Max. power consumption (device)	1238	1238	W	$P_{ed, max}$
Max. operating current (device)	8.79	8.79	A	$I_{ed, max}$
Max. speed	1640	1640	1/min	n_{max}
Max. stat. efficiency	53.5	53.5	%	η_{es}
Max. fan efficiency	54.2	54.2	%	η_e
Max. flowrate	7600	7600	m ³ /h	Q_v, max
Max. stat pressure	810	810	Pa	$p_{st, max}$
Max. medium temperature	120	120	°C	T_m, max
Max. environment temperature	50	50	°C	$T_{amb, max}$
Min. environment temperature	-20	-20	°C	$T_{amb, min}$

MOTOR DATA

Name	Value		Unit	Formula symbol
	50 Hz	60 Hz		
Rated frequency (device)		50		f
Motor type		EC		phase
Control type		stepless-controlled		ctrltype
Installation type		IRM (In)		install
Rotation direction		right		rotation
Isolation class		ISO F		ISOclass
Protection class		IP54		IP _{motor}
Is pole-changeable		No		polexch
Type of power supply		AC 1-		pwr _{sup} motor
Rated voltage	230		V	$U_{rated, f1}$
Rated current	8		A	$I_{rated, f1}$
Shaft power	1100		W	$P_{out, f1}$
Speed	2100		1/min	n_{f1}
UL-Certification motor		None		ULcert

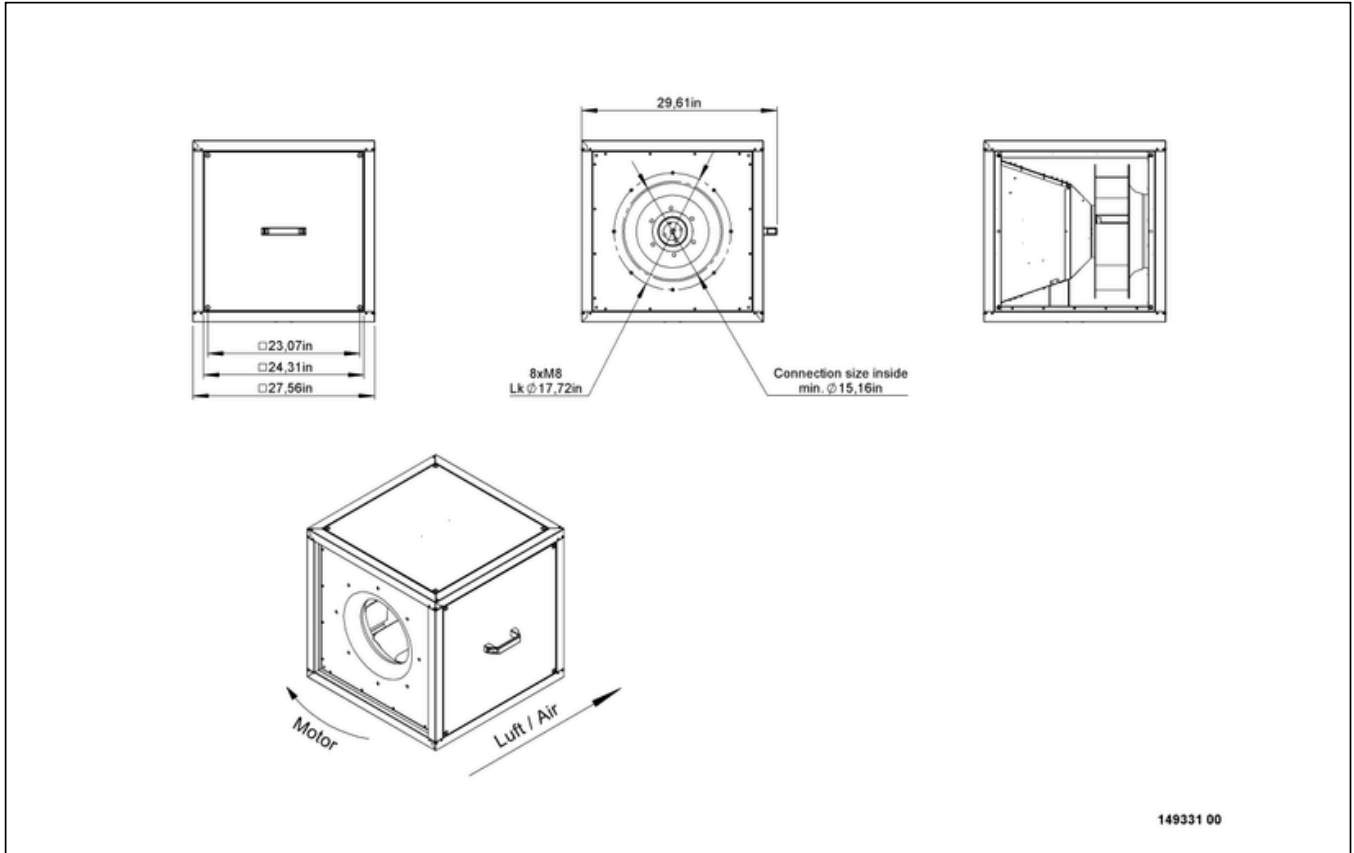


to the product detail page

MPC 450 EC T30

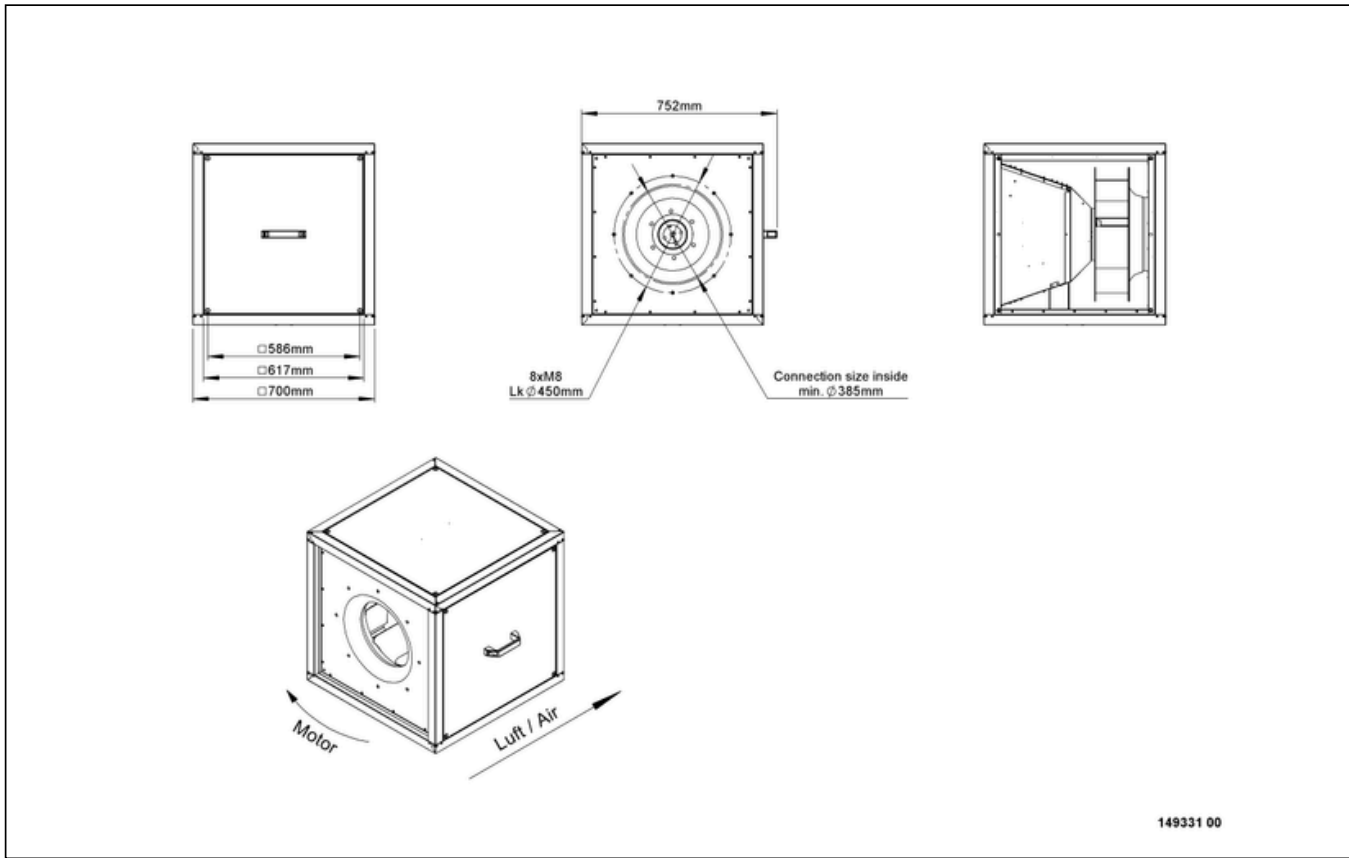
149331

CIRCUIT DIAGRAMS / DIMENSIONAL DRAWINGS



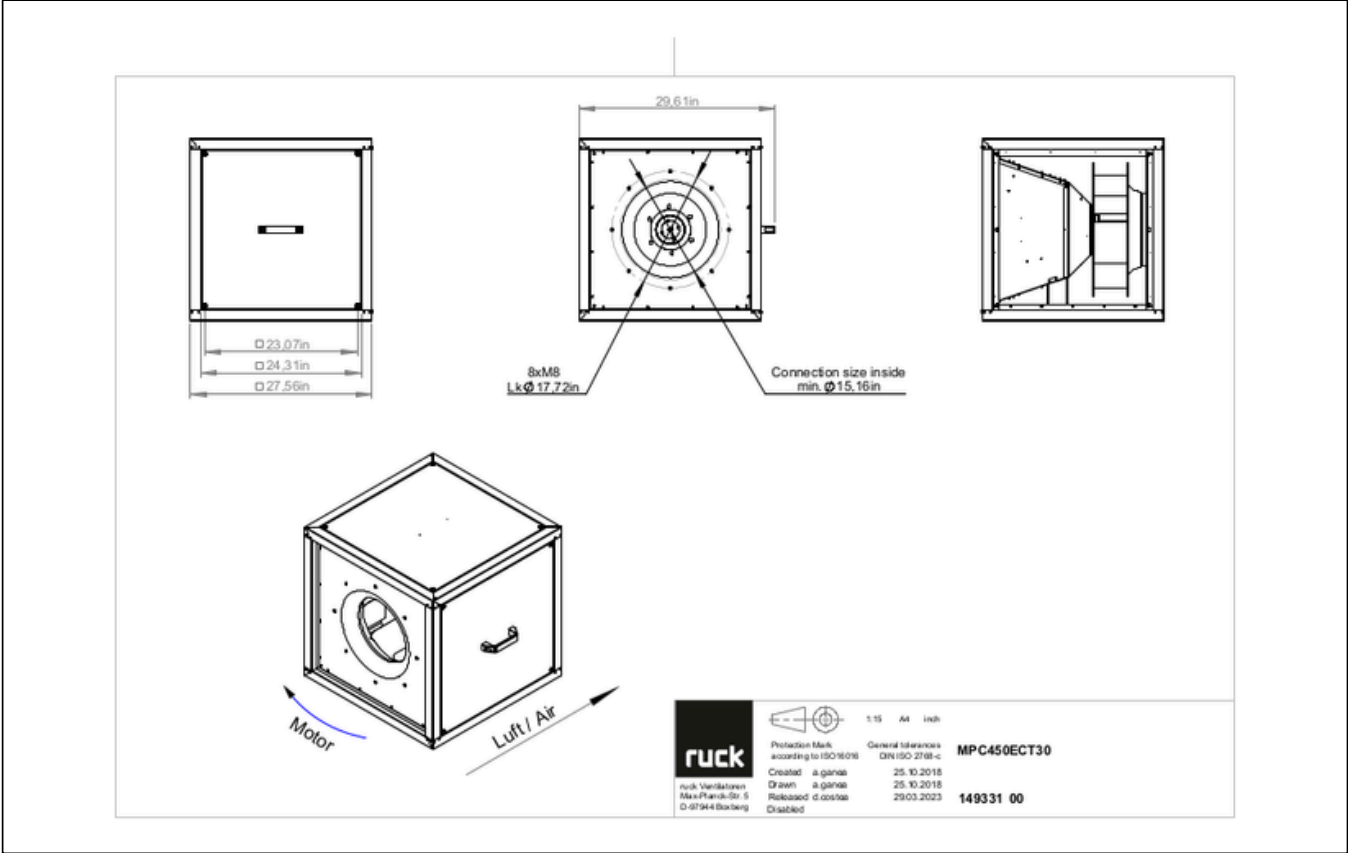
MPC 450 EC T30

149331



MPC 450 EC T30

149331



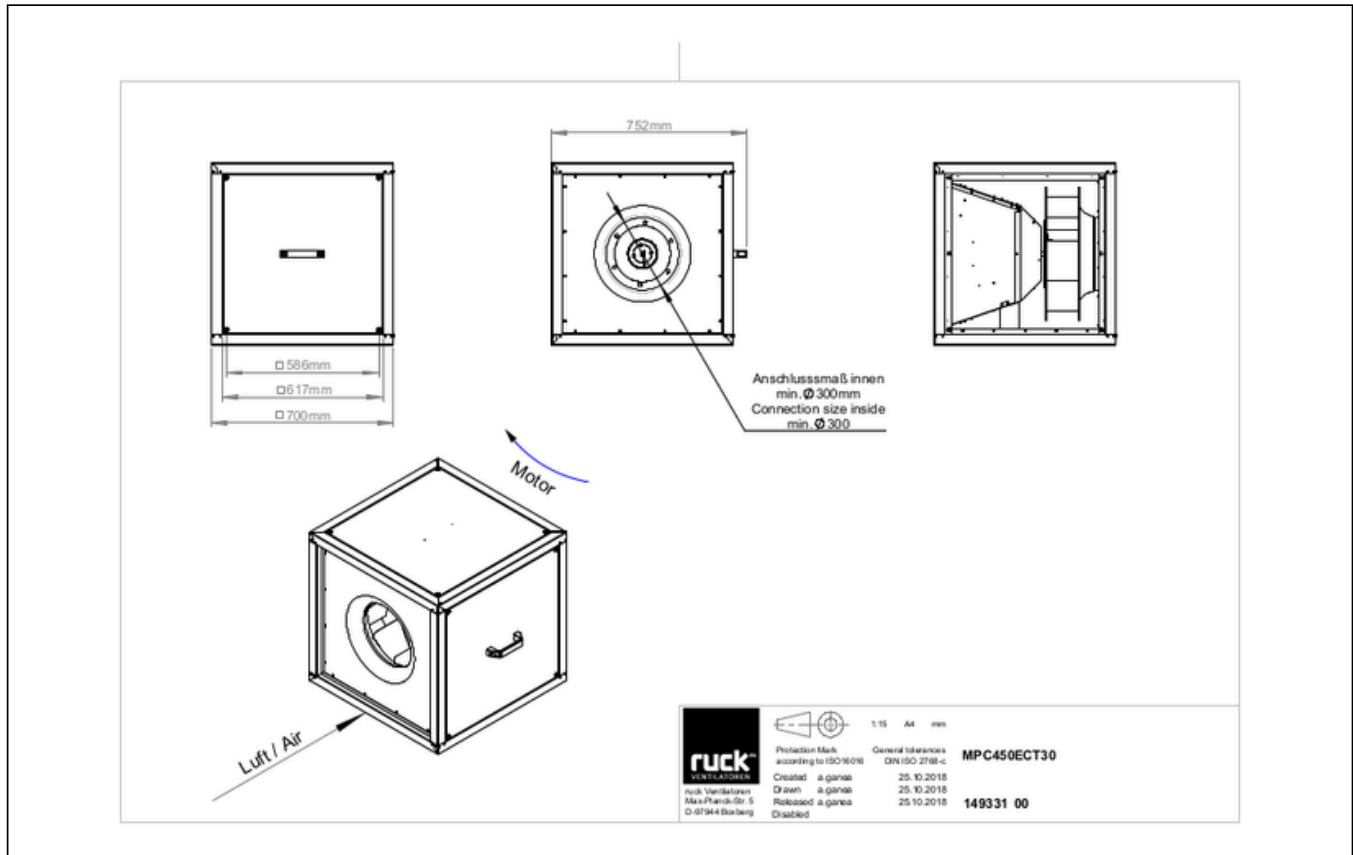
ruck
 ruck Ventilatoren
 Max-Planck-Str. 5
 D-97944 Boxberg

Protection Mark according to ISO 9006
 Created a.ganis 25.10.2018
 Drawn a.ganis 25.10.2018
 Released d.cocher 29.03.2023
 Disabled

1:15 A4 inch
 General tolerances DIN ISO 2768-c
MPC450ECT30
149331 00

MPC 450 EC T30

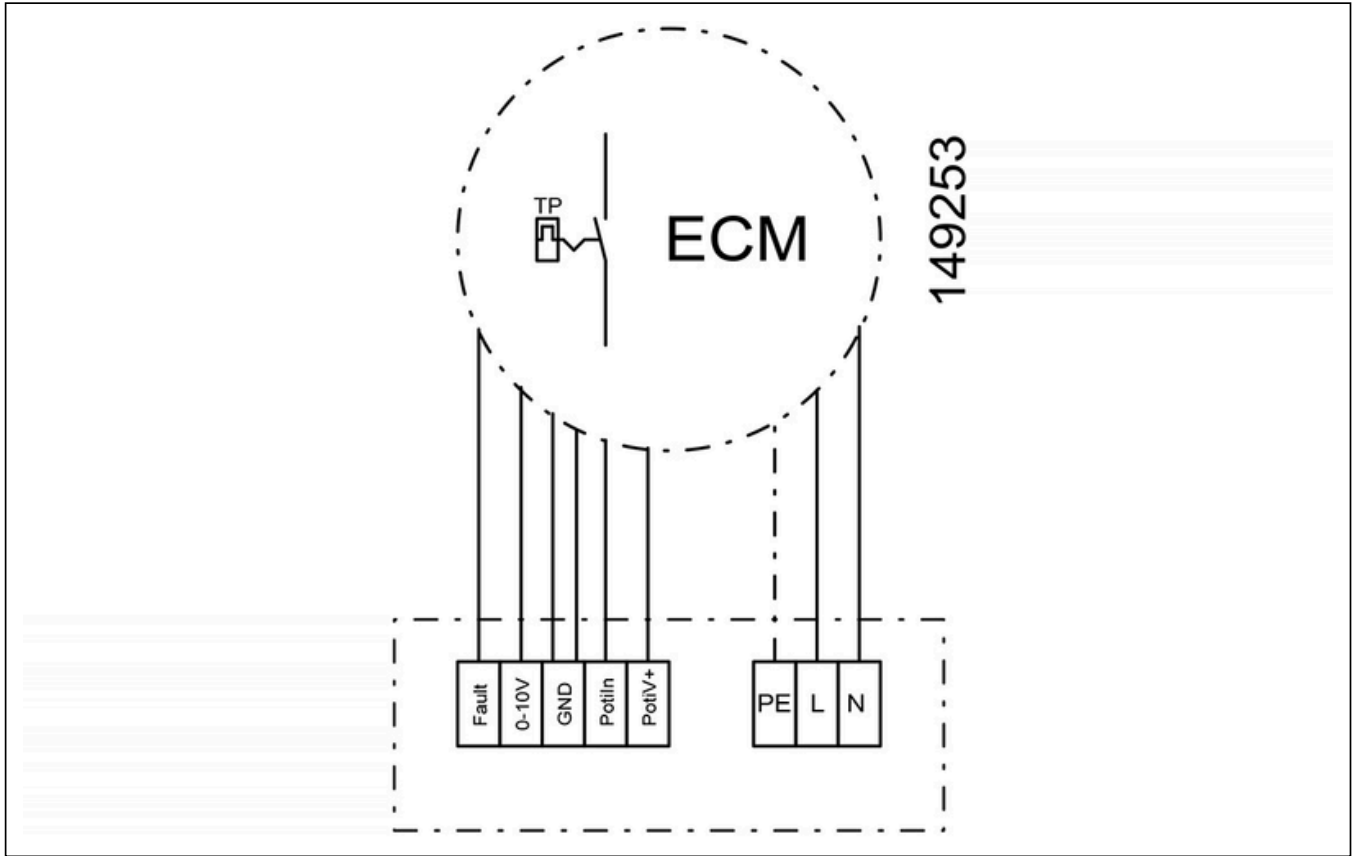
149331



to the product detail page

MPC 450 EC T30

149331



to the product detail page

MPC 450 EC T30

149331

MECHANICAL ACCESSORIES

FB 700 | 160866



- Air filter box for panel filter
- For MPC box 700
- For 1 or 2 filter (not included)
- Housing made of galvanized sheet steel

USM 700 400 | 107214



- Transition spigot
- Galvanized steel sheet
- Insulated

USM 700 450 | 107240



- Transition spigot
- Galvanized steel sheet
- Insulated

USM 700 500 | 107241



- Transition spigot
- Galvanized steel sheet
- Insulated

MB MPC 02 | 116410



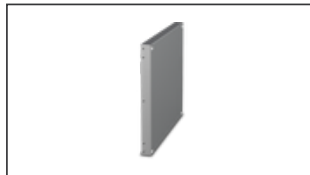
- Motor protection shield
- Sendzimir galvanized sheet

GR MPC 02 | 123432



- Base frame für MPC
- Galvanized steel sheet

UCP 700 | 142568



- Closed panel
- Galvanized steel sheet

RVK 400 | 153701



- Automatic tube shutter
- Sheet steel, powder coated
- For vertical installation
- Flange mounting

RVK H 400 | 153926



- Automatic tube shutter
- Sheet steel, powder coated
- For horizontal installation
- Flange mounting

UQR 700 400 01 | 139863



- Transition duct/tube
- Galvanized steel sheet
- Incl. 4 cylinder cap screws (M8 x 16 mm), 4 serrated lock washers for nominal size M8

UQR 700 450 01 | 139868



- Transition duct/tube
- Galvanized steel sheet
- Incl. 4 cylinder cap screws (M8 x 16 mm), 4 serrated lock washers for nominal size M8

UQR 700 500 01 | 139871



- Transition duct/tube
- Galvanized steel sheet
- Incl. 4 cylinder cap screws (M8 x 16 mm), 4 serrated lock washers for nominal size M8

VM 400 | 102654



- Fast clamps for sound decoupling and sealing
- Galvanized steel sheet, 5 mm Neopren gasket
- 1 Pack = 2 pieces

VM 500 | 118094



- Fast clamps for sound decoupling and sealing
- Galvanized steel sheet, 5 mm Neopren gasket
- 1 Pack = 2 pieces

VM 450 | 119495



- Fast clamps for sound decoupling and sealing
- Galvanized steel sheet, 5 mm Neopren gasket
- 1 Pack = 2 pieces

AS MPC 400 | 140847



- Inlet spigot
- Galvanized steel sheet

AS MPC 450 | 140852

AS MPC 500 | 140871

RAF 400 | 154019

RVS 400 01 | 154183



to the product detail page

MPC 450 EC T30

149331



- Inlet spigot
- Galvanized steel sheet



- Inlet spigot
- Galvanized steel sheet



- Round flange
- Sheet steel, powder coated



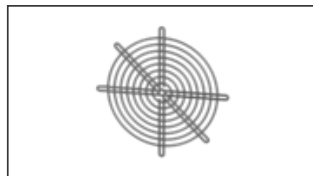
- Tube connection spigot
- Sheet steel, powder coated
- Suitable for outdoor installation
- Flange mounting

ESD 400 | 153959



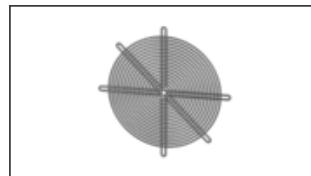
- Inlet cone
- Steel sheet, powder coated
- Flange mounting

SGW 400 | 154050



- Protection grille, wide meshed
- Steel sheet, galvanized
- Flange mounting

SGE 400 | 154074



- Protection grille, narrow meshed
- Steel sheet, galvanized
- Flange mounting

RD MPC 700 | 140093



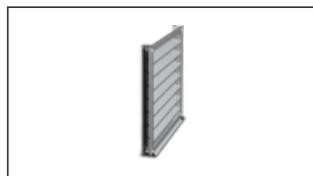
- Rain cover for outdoor installation
- Galvanized steel sheet

WSH MPC 02 | 123433



- Weather protection hood
- Galvanized steel sheet

WSG MPC 700 | 140748



- Weather protection grille
- Galvanized steel sheet

RAS 400 | 154248



- Round spigot, flexible
- Galvanized steel sheet, plastic band (PES)
- Temperature resistant up to 75 °C
- Flange mounting



to the product detail page