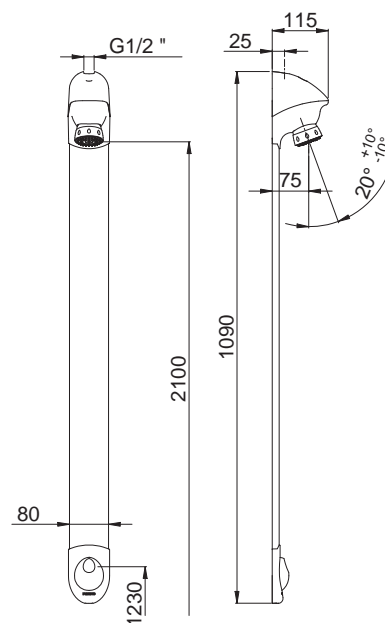


**Range:** Timed flow single tap for shower

**Ref:** 27400 - PRESTO DL 400 SE® single tap with straight stop valve



#### > Working pressure :

- 1 to 5 bar

#### > Flow :

- 8 l/min at 3 bar with integrated flow limiter (+ additional 6l/mn limiter)
- Anti-water-hammering design
- Fixed shower head with anti-limescale spikes

#### > Flow time :

- 30 seconds (± 5 sec.)

#### > Hydraulic supply :

- G 1/2" (15x21) Top water inlet with straight stop valve
- For cold or premixed water

#### > Material and colour finish :

- Injected molded metal body and cover
- Extruded cover in aluminium (magnesium-silicon alloy 6060)

#### > Thermal resistance :

- Resistant to a temperature of 75°C for 30-minute-thermal-shocks

#### > Security :

- Patented anti-blocking "S" system to avoid the water to flow continuously

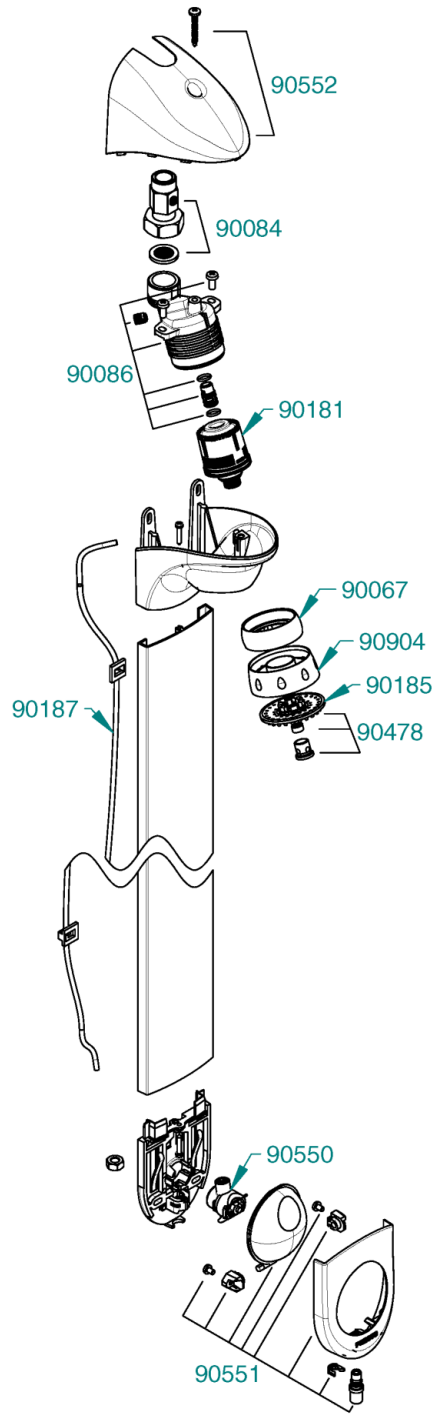
#### > Delivered with :

- VBA screws and nylon plugs
- Additional 6l/mn limiter
- M G 1/2" - FG3/4" stop valve and filter
- Instruction manual

#### > Standards & approvals :

- Acoustic class I
- Molded chrome-plated body in accordance with EN 12540
- 200-hour neutral salt spray resistant (NSS) in accordance with ISO 9227







90067  
Bague de fermeture



90084  
Stop valve for DL 400 SE



90086  
Corps DL400 SE



90181  
Set of cartridge complete for DL300/400



90185  
Set of grid and rubber membrane for DL300/400



90187  
Sachet capillaire 2,5m



90207  
Sachet de 20 fils frein



90478  
Complete shower head grid 6 L/mn



90550  
Trigger complete for DL400 SE



90551  
Push button/carter complete for DL400 SE



90552  
Cover up for DL400 SE + screw



90699  
Té pour capillaire (version antilégionnelle)



90904  
Sachet de 5 garnitures



91044  
Robinet d'arrêt équerre