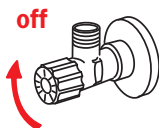


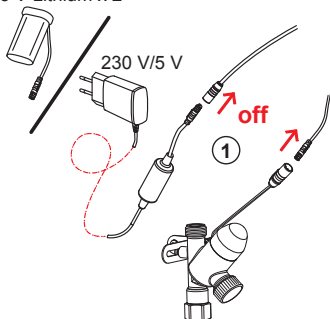
601106V, 601110V, 601072V, 601103V

1



2

AA 1.5 V Lithium x 2

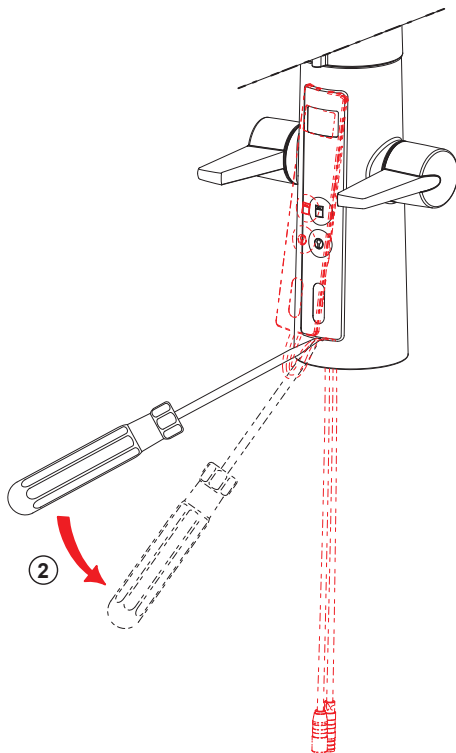


ORAS GROUP
Isometsäntie 2, P.O. Box 40
FI-26101 Rauma
Finland

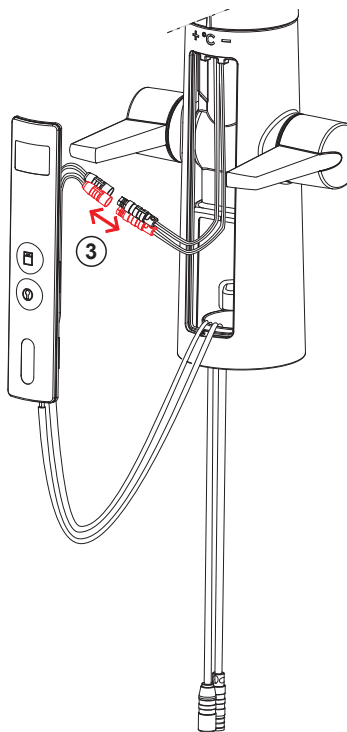
Tel. +358 2 83 161
Fax +358 2 831 6300
info.finland@oras.com
www.oras.com

943122/01/17

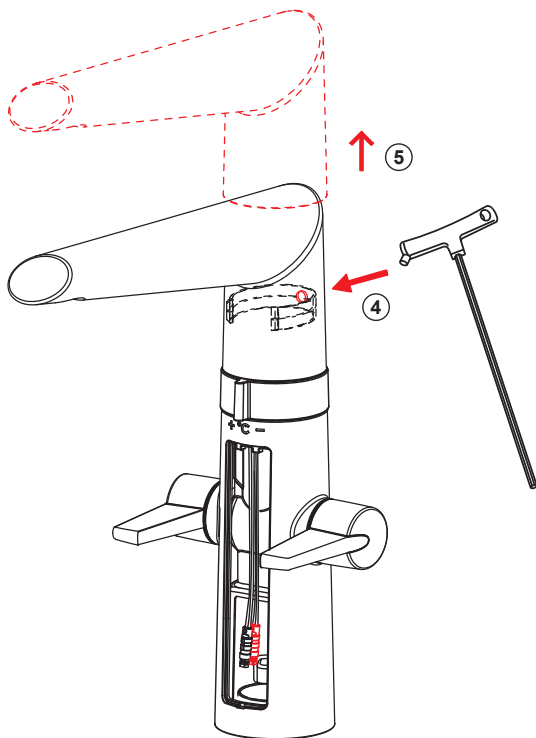
3



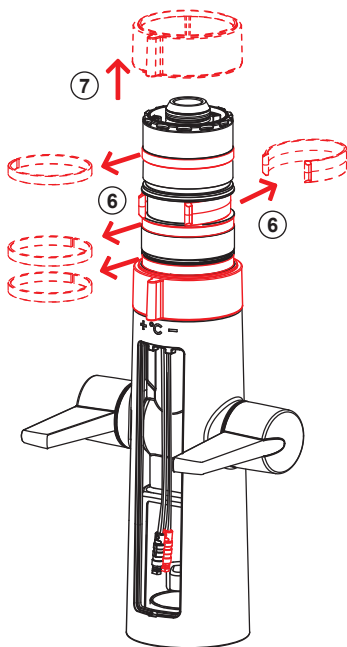
4



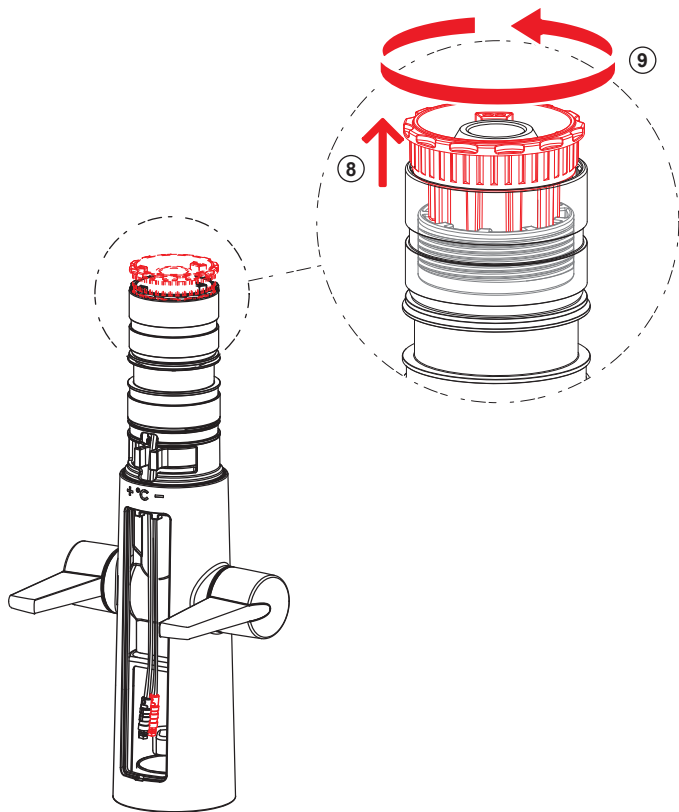
5



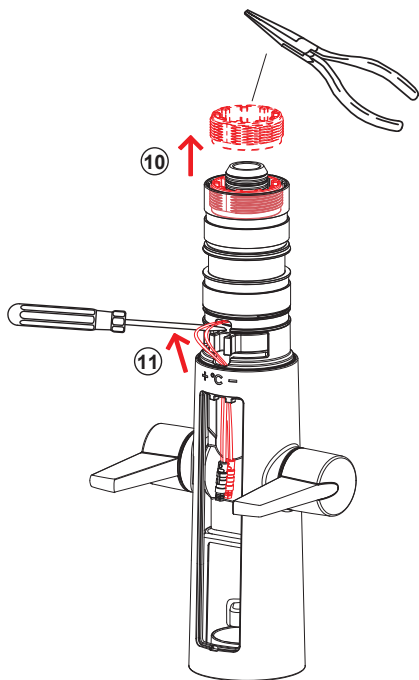
6



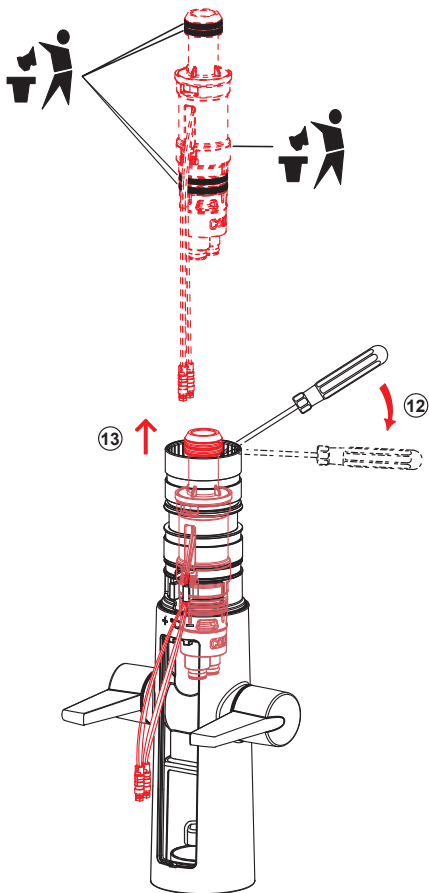
7



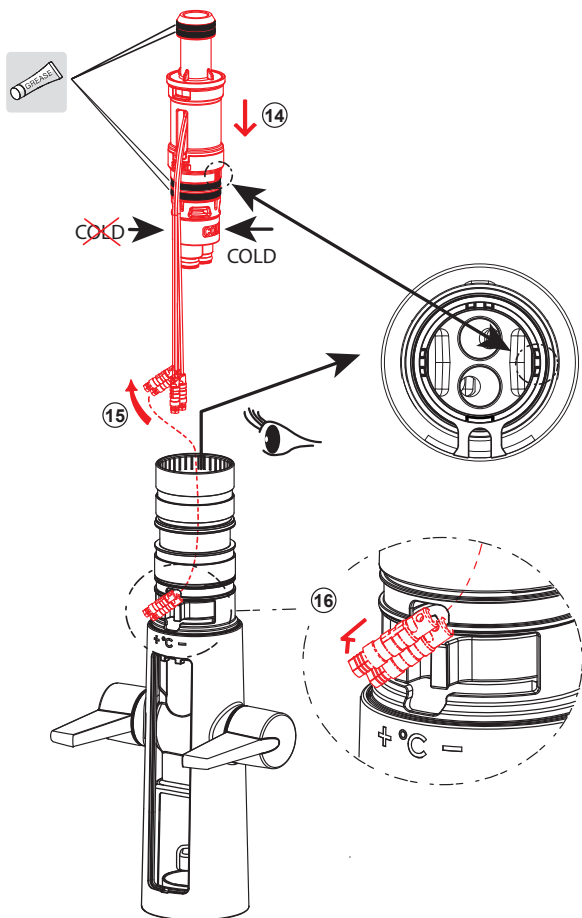
8



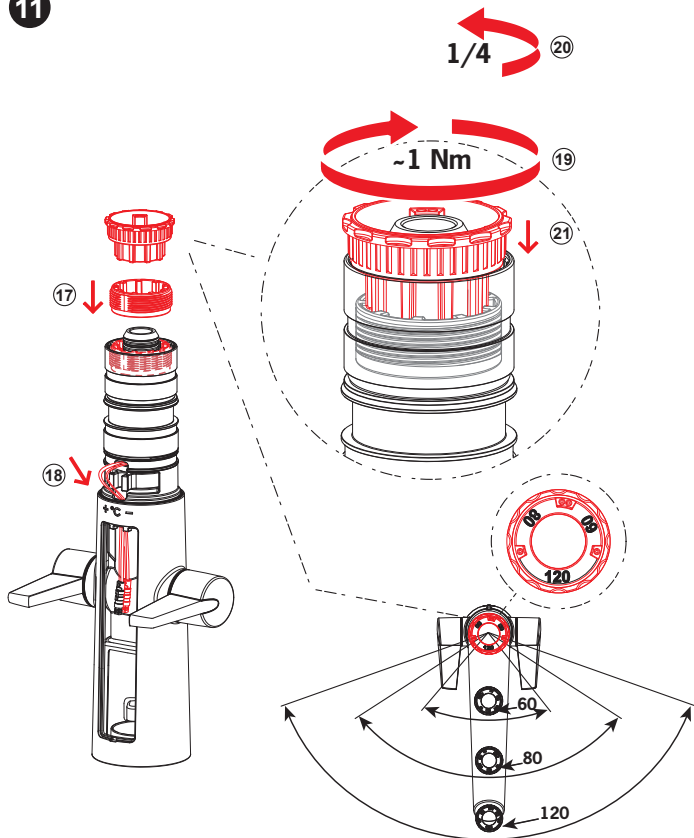
9



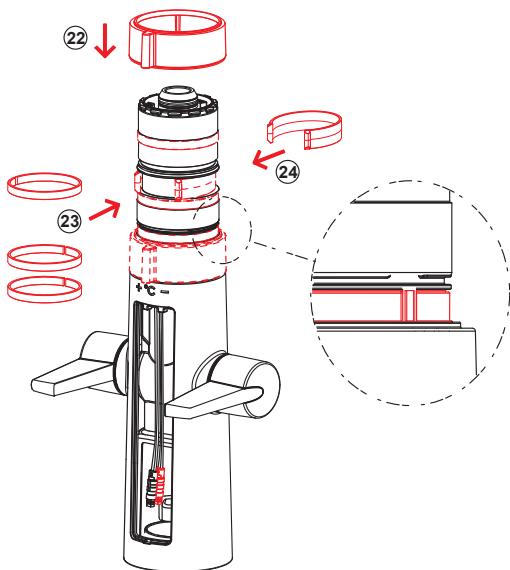
10

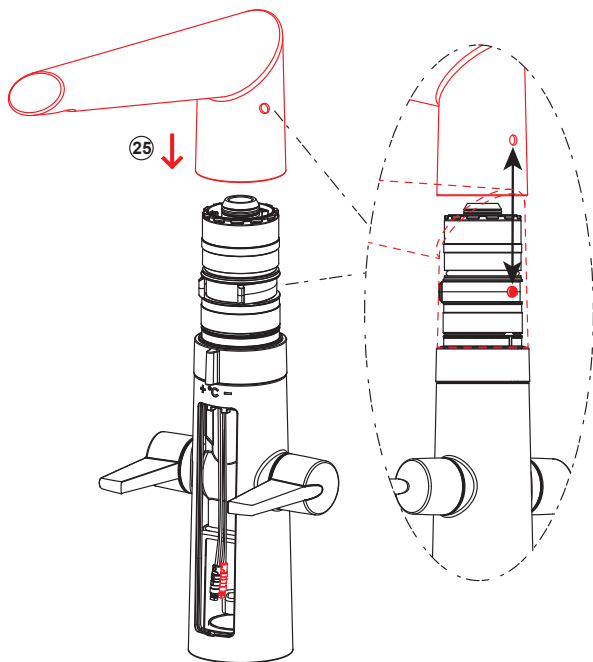


11

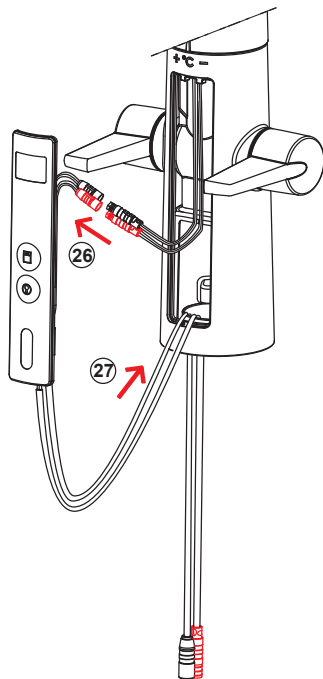


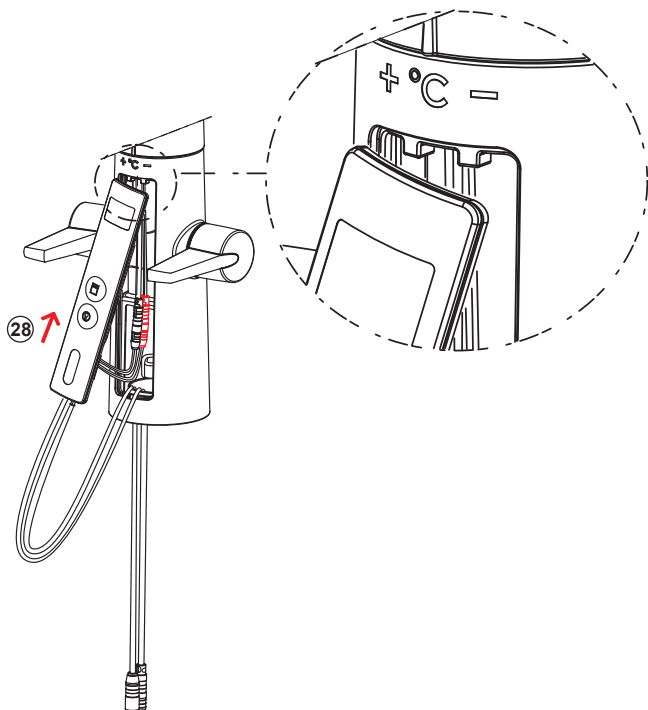
12





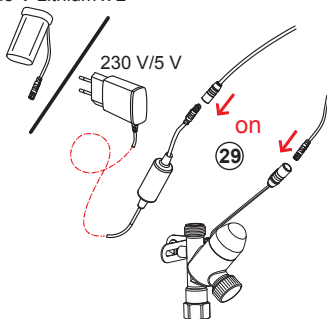
14



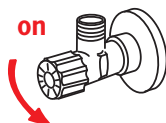


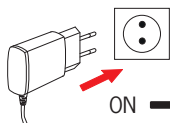
16

AA 1.5 V Lithium x 2



17





	Afterflow period (touchless function)	Max. flow period	Automatic flush	Automatic flush period	ON / OFF
	P1	P2	P3	P4	P5
U1	2 s	10 s	0	10 s	OFF
U2	4 s	40 s	12 h	30 s	ON
U3	8 s	60 s	24 h	60 s	-
U4	10 s	120 s	48 h	120 s	-
U5	20 s	180 s	72 h	180 s	FS

FS = Factory Settings

(within 3 minutes)

