

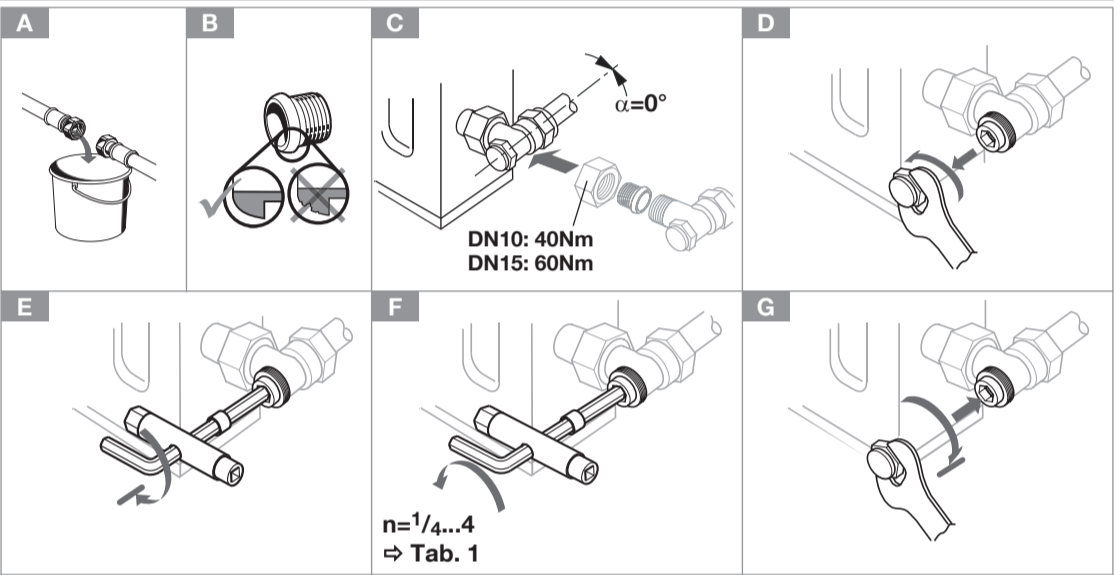


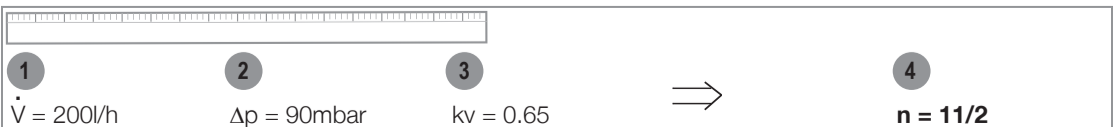
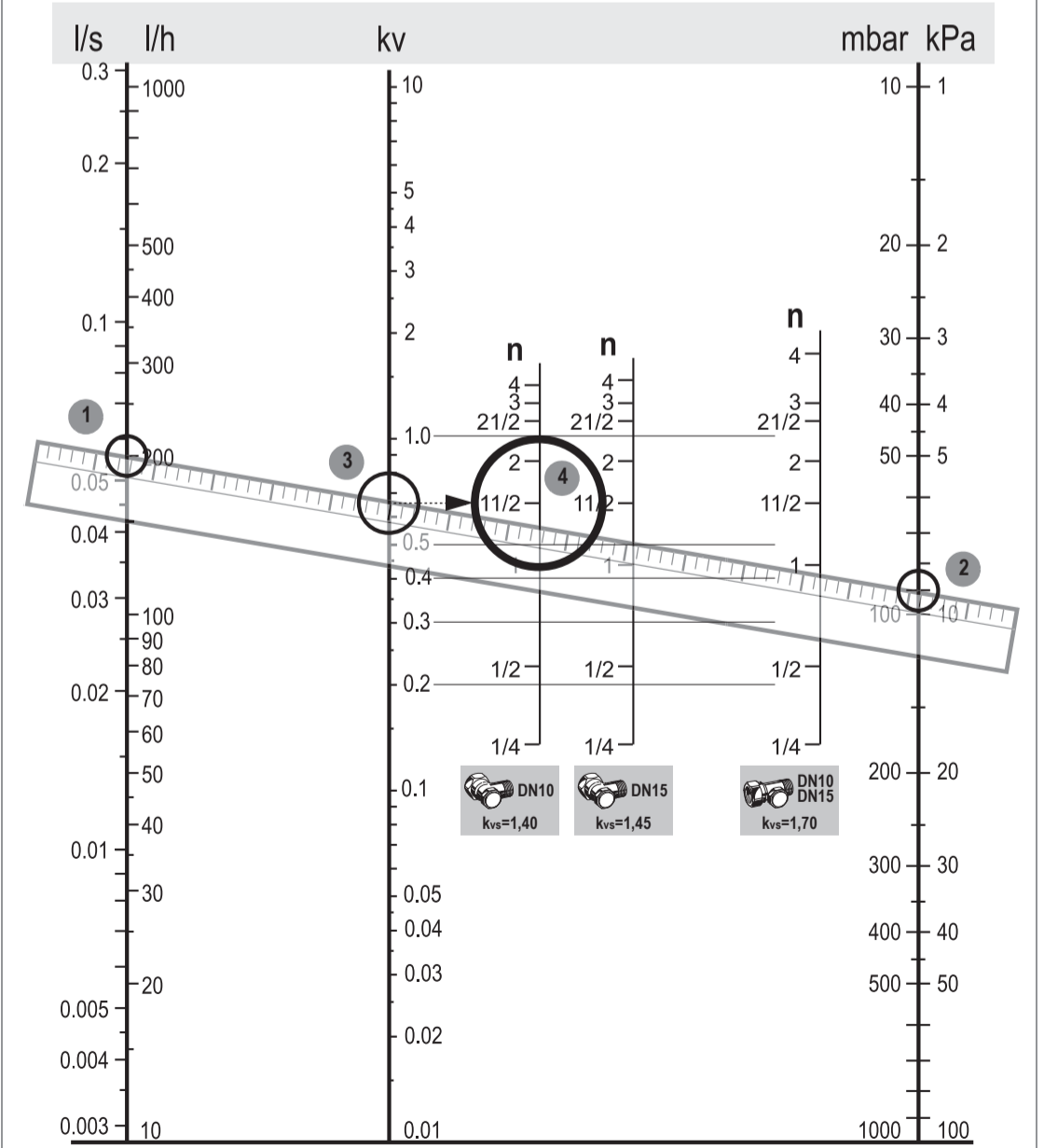
2 - 130°C (36 - 266°F)
Max. 10bar (145psi)



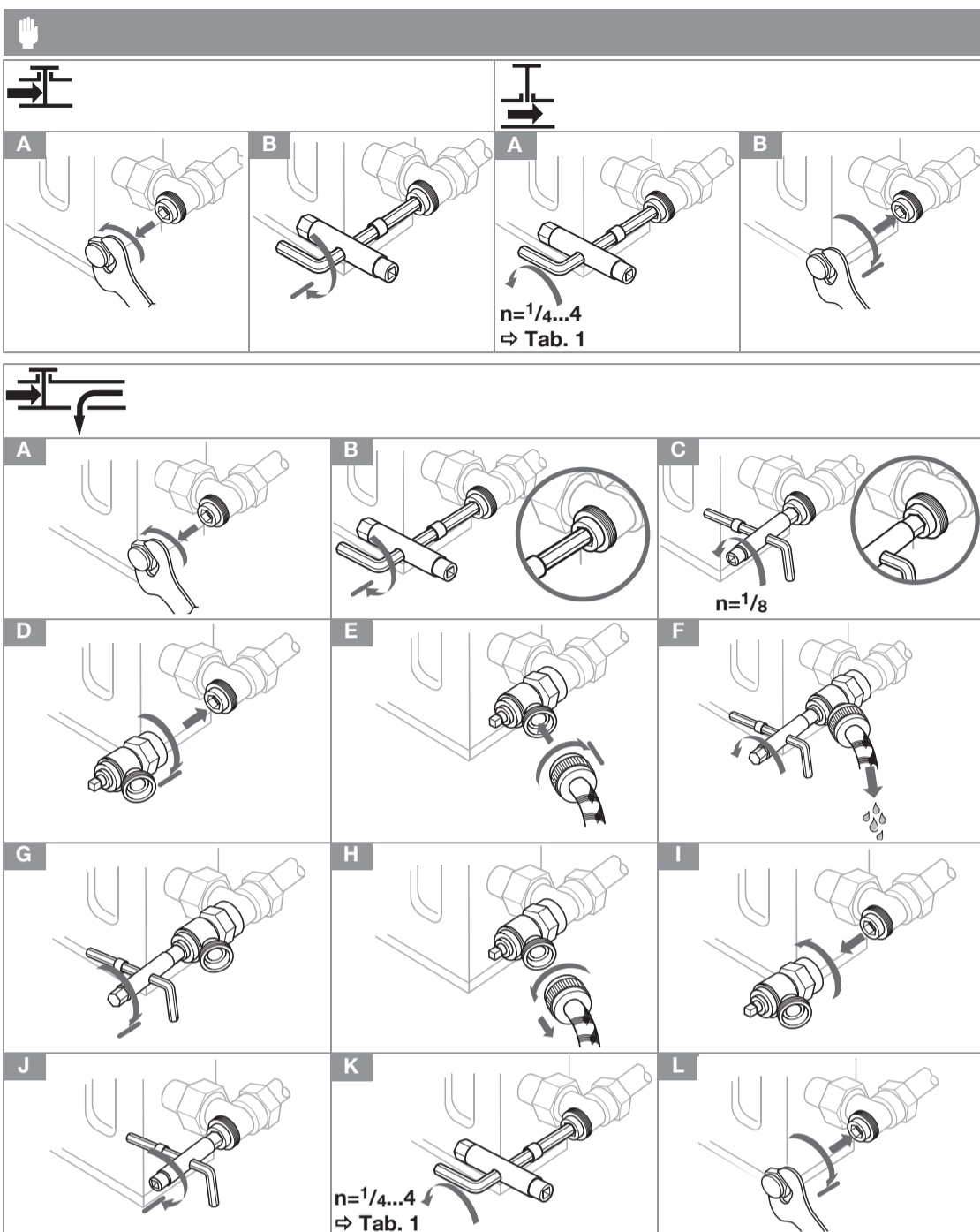
				
	DN10	DN15	DN10	DN15
(DK)	40 3496.003	40 3496.004	40 3495.003	40 3495.004
(NO)	8565876	8565875	8565874	8565873
(SE)	4821711	4821712	4821709	4821710
(FI)	4032808	4032809	4032806	4032807



Tab. 1



Subject to change



Distributed by:

Denmark

Saint-Gobain Distribution Denmark
Park Allé 370
2605 Brøndby

Norway

Brødrene Dahl
Brynsengveien 5
0667 Oslo

Sweden

Dahl Sverige AB
Box 67
126 77 Järfälla

Finland

LVI-Dahl Oy
Robert Huberin tie 5
01510 Vantaa