

Duo FR 2314

Semi-Automatic Backwash Filter

2



Field of application

The Duo FR is the starter model of the SYR filter programme. It is a filtering valve for potable water installations, which is to be mounted with the fully rotatable integrated connection flange. The Duo FR

functions in any mounting position. Its very compact construction form also allows to protect single appliances (dish washers, water heaters etc..).

Design

The manual backwash filter Duo FR is available in the connection sizes DN 20 - DN 25. The cascade-

shaped filter insert is made of synthetic material.

Materials

The filter cap is made of shock-resistant synthetic material and the filter insert of synthetic material. The ring seals are made of asbestos-free fibre. All materials used are state-of-the-art. The synthetic

and elastomeric parts getting into contact with water designed for human consumption are approved by the German Public Health Office (KTW).

Installation

It is highly recommended to install filters to protect potable water installations against corrosion. When used at the domestic point of entry, the Duo FR

filter should be installed directly behind the water metering device and be readily accessible.

Thoroughly flush the pipe prior to installation. Use filtered water from the first onset of the potable water installation. The main axis of the filter has to be in vertical

position. Install the filter under consideration of the direction of flow (arrow on the body) in the pipework without applying stresses.

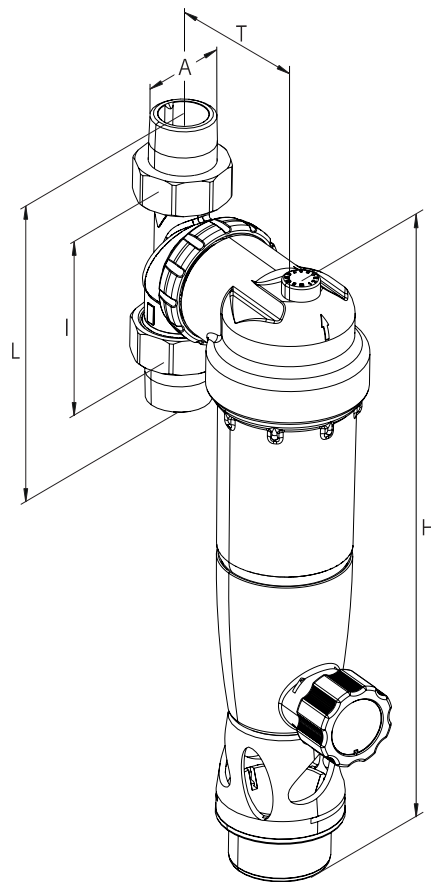
Technical specifications

Operating pressure:	min. 2 bar, max. 16 bar
Operating temperature:	max. 30°C
Mounting position:	any, main axis of filter vertical
Fluid:	potable water
Mesh width:	lower: 90 µm, upper: 125 µm
Flow rate:	DN 20: 1.3 m ³ /h at 0.2 bar Δp DN 25: 2.3 m ³ /h at 0.2 bar Δp DN 20: 2.3 m ³ /h at 0.5 bar Δp DN 25: 3.6 m ³ /h at 0.5 bar Δp
ABP-Nr.:	DN 20 + DN 25: P-IX 6737/I
DVGW-Nr.:	NW-9301BR0130
Serial number:	2314 ...

Maintenance

A maintenance indicator positioned on top of the filter indicates when service is due. The filter should be backwashed every two months at the latest. Servicing the Duo FR requires no special tools. To service the filter, open the ball valve and

turn the lower part of the filter 2 to 3 times to the left or to right. Close the ball valve again. Even during backwashing, the device continues to supply filtered water into the potable water system.



Nominal size		DN 20	DN 25
	A	G ¾"	G 1"
Dimensions in mm	H (mm)	330	330
	L (mm)	172	180
	I (mm)	110	110
	T (mm)	85	85

Components / Order numbers

①
Valve body
2350.00.901

②
Filter
2350.00.903

③
O-Ring
2350.00.907

④
Filter cap
2350.00.904

no pict..

Mounting key
2350.00.906

